

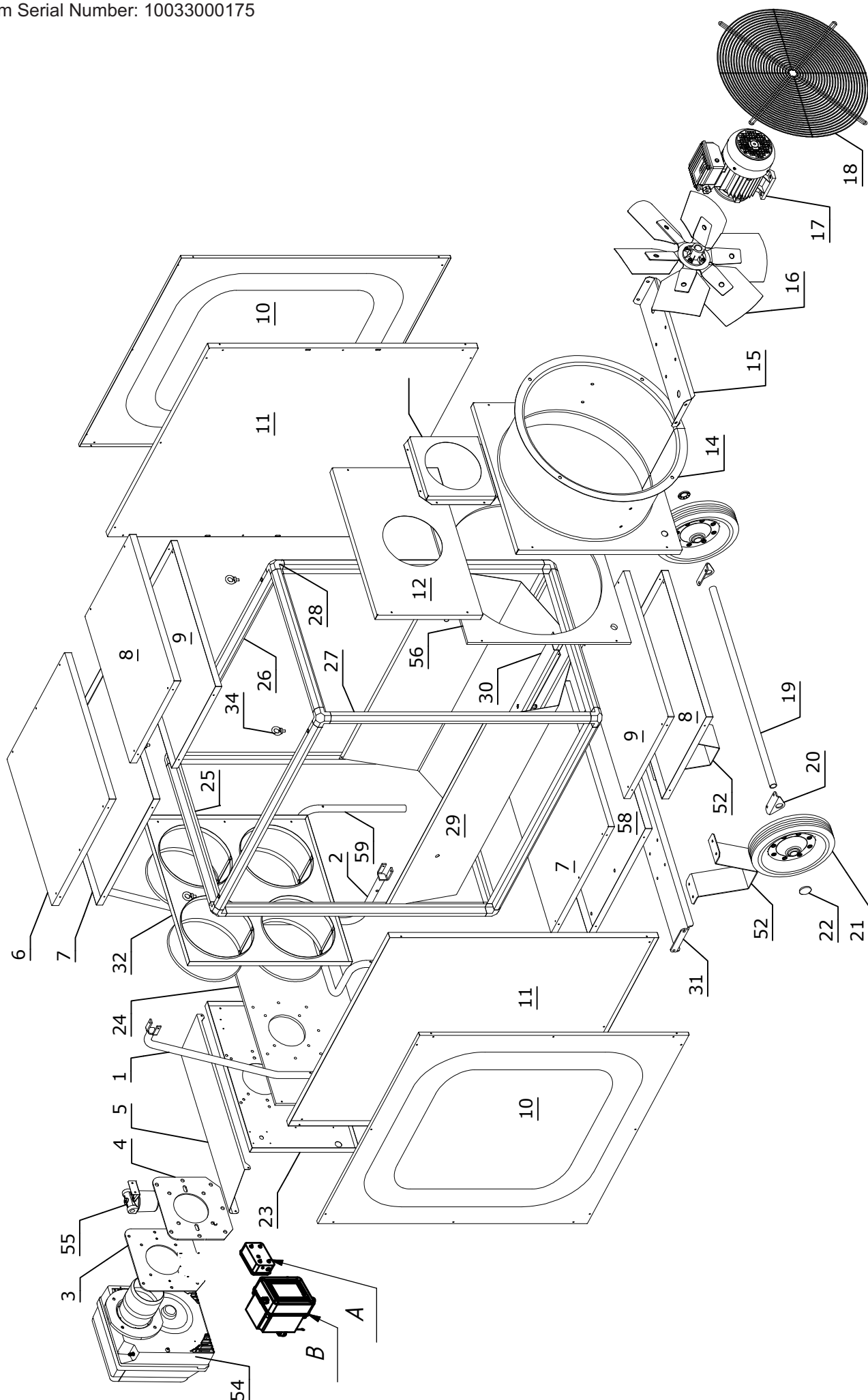
BV 470 FS MODEL 2011

UNIT 1

ILLUSTRATED PARTS BREAKDOWN

From Serial Number: 10033000175

Edizione 2011
Rev. A



BV 470 FS MODEL 2011

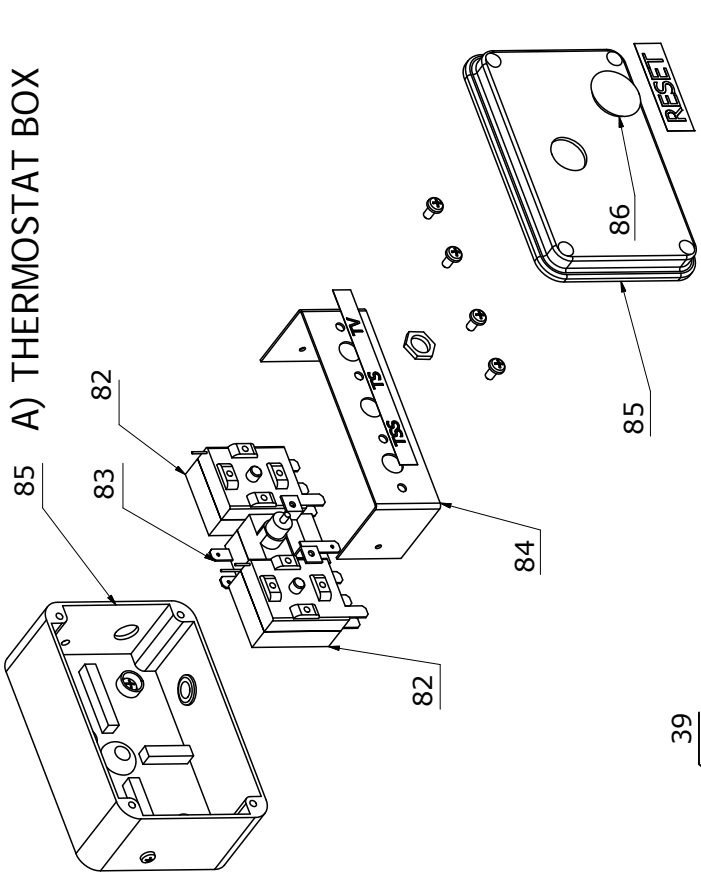
UNIT 2

ILLUSTRATED PARTS BREAKDOWN

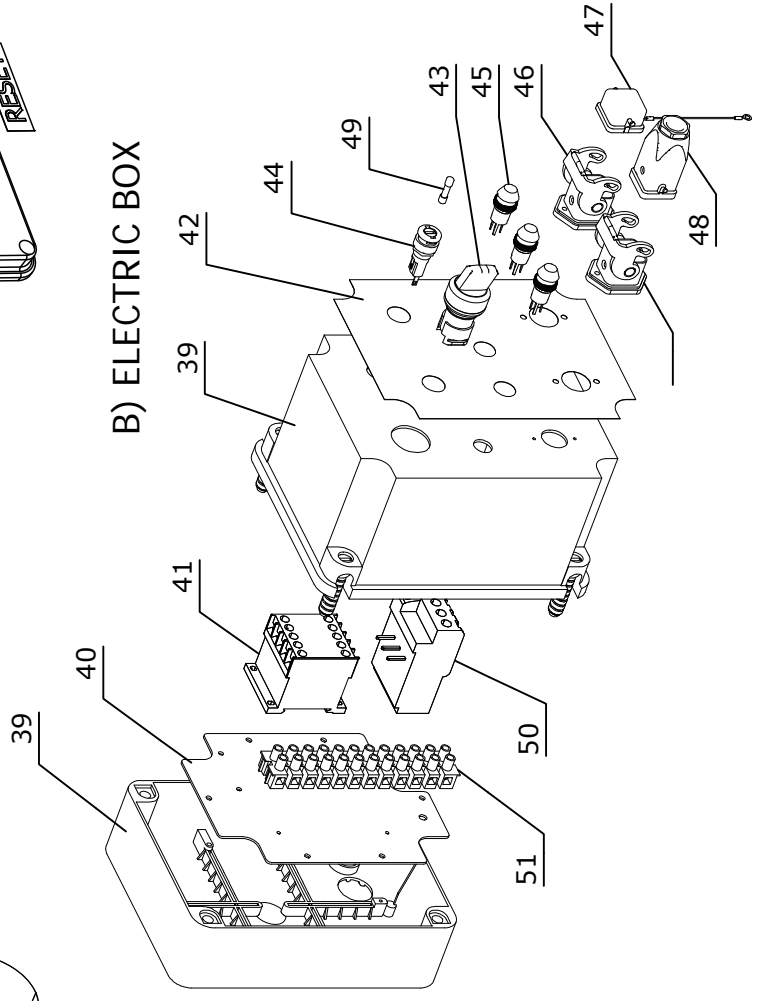
Edizione 2011
Rev. A

From Serial Number: 10033000175

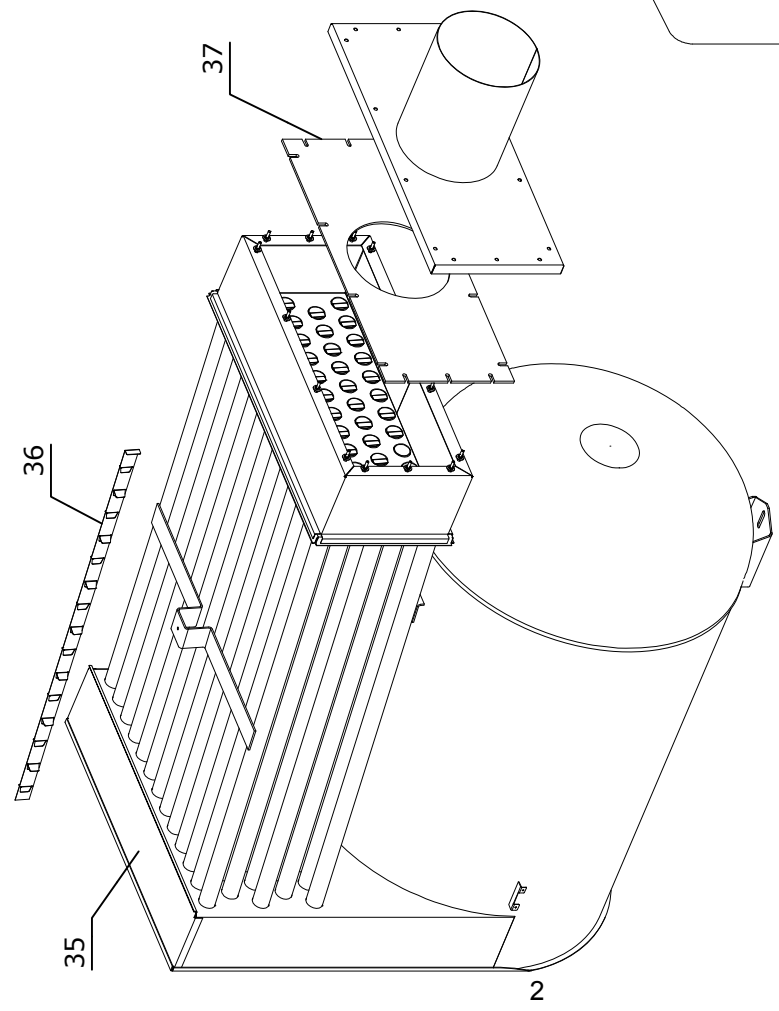
A) THERMOSTAT BOX



B) ELECTRIC BOX



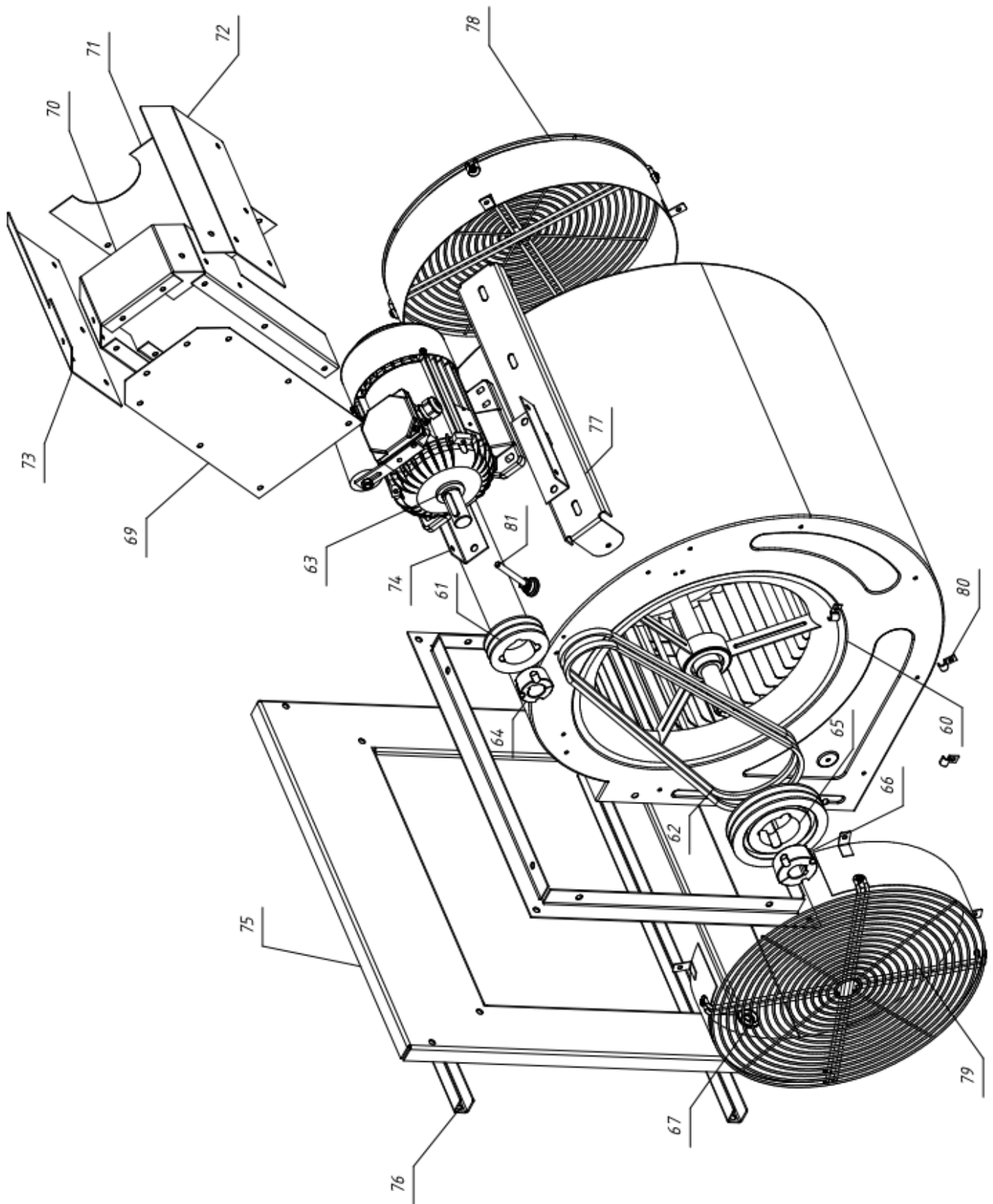
COMBUSTION CHAMBER



Pos.	Code NR	Description
1	4514.144	Right Burner Protection
2	4514.143	Left Burner Protection
3	4514.126	Universal Slab
4	4514.605	Universal Slab Seal
5	S/R	Burner Cover
6	S/R	Top Bottom External Panel
7	S/R	Top Internal Panel
8	S/R	Top External Panel
9	S/R	Bottom External Panel
10	S/R	External Lateral Panel
11	S/R	Internal Lateral Panel
12	S/R	Rear Panel
13	S/R	Chimney Bottom
14	S/R	Fan Panel
15	S/R	Support Bracket
16	4514.301	Fan
17	4514.300	Motor
18	4514.142	Protection Grill
19	4514.150	Wheels Axle
20	4514.128	Hub Bracket
21	4514.600	Black Rubber Wheel Diam. 300
22	4514.803	Fixing Washer For Shaft With Cup
23	S/R	Front Panel Slab
24	4514.604	Burner Thermic Insulator
25	S/R	Chamfered Profile For Panel 25 L=605
26	S/R	Chamfered Profile For Panel 25 L=1060
27	S/R	Chamfered Profile For Panel 25 L=994,5
28	S/R	3 Way Corner For Chamfered Profile
29	S/R	Air Direction Sheet
30	S/R	Combustion Chamber Bracket
31	S/R	Wheels Bracket
32	4514.117	4-Way Panel
32	4514.097	1-Way Panel (Optionally)
34	4514.801	Lifting Eye Bolt M8
35	4514.151	Combustion Chamber
36	4514.105	Bracket For Turbulence
37	4514.602	Exit Smoke Chamber Seal
39	4514.609	Waterprof Case (Front And Back)
40	4514.141	Electric Components Plate

Pos.	Code NR	Description
41	4514.416	Contactora 4Kw 400V for BV 470 FS
41	4514.420	Contactora 3P 23V for BV 470 FSR
42	4514.512	Panels Label
43	4514.402	Switch 3P
44	4514.400	Fuseholder 5X20, 6,3A
45	4514.415	Indicator Light 230V
46	4514.611	Socket Case
47	4162.467	Cap For Thermostat Plug
48	4111.118	Thermostat Plug
49	4514.409	Fuse 5X20 3,15A 250V
50	4514.417	Thermal Relay 6-9A for BV 470 FS
50	4514.421	Thermal Relay 13-18A for BV 470 FSR
51	4514.404	Terminal Block 12T 4 ²
52	4514.230	Front Base Panel
54	4514.302	Oil Burner RG3 F
55	4031.120	Oil Pre Heater
56	S/R	Flange
58	S/R	Bottom External Panel I
59	4514.213	Holder
82	4514.422	Capillary Thermostat
83	4514.419	Over-Heat Thermostat 16A/230V 110°C With Reset
84	4514.799	Thermostat Support
85	4514.623	Thermostat Plastic Box (Front And Back)
86	4514.624	Button Plug
A	4514.430	Thermostat Box
B	4514.412	Electric Box for BV 470 FS
B	4514.413	Electric Box for BV 470 FSR

S/R = Parts available on special request only



Pos.	Code NR	Description
60	4514.305	Radial Fan AT15/15S
61	4514.307	Pulley SPZ 80X2
62	4514.318	V-Belt SPZ 1120
63	4514.324	Motor 1,5kW 230V
64	4514.328	Taper Lock 1210X24
65	4514.329	Pulley SPZ 132X2
66	4514.331	Taper Lock 1610X25
67	4514.607	Rubber Bushing D16
69	4514.701	Front Motor Cover
70	4514.702	Frame Motor Cover
71	4514.703	Back Motor Cover
72	4514.704	Left Side Motor Cover
73	4514.705	Right Side Motor Cover With Cutting
74	4514.707	Motor Cover Support
75	S/R	Fan Mounting Panel
76	S/R	Fan Assembly Channel
77	4514.710	Motor Support
78	4514.727	Fan Guard
79	4514.728	Fan Guard With Cutting
80	4517.807	Clamp 8mm
81	4517.812	Self Aligning Foot M8X68

S/R = Parts available on special request only